

A table lamp with a white, rounded shade and a dark, textured, cylindrical base. The base has a mottled, organic appearance with various shades of brown and black. The lamp is set against a light-colored wood background with a vertical grain pattern. The lamp is resting on a dark wooden surface.

Northern

# Kin Table Lamp

Press release — Autumn 2023

Almost a decade in the making, the much-anticipated Kin Table Lamp series from leading Norwegian design duo Morten & Jonas is now ready to go out into the world.

A total head-turner, it takes its cues from the shape of collectable bobblehead figures, one of which featured in a film Jonas was watching and sparked his inspiration.

A contemporary and harmonious piece, the Kin Table Lamp confidently combines quality materials and contrasting finishes, with its oversized mouth-blown, matt opal glass shade sitting effortlessly on top of the softly rounded polished Emperador marble base.

Available in two bold sizes, and with a small hand dimmer neatly incorporated into the cable, the Kin Table Lamp allows you to soften the mood to suit the moment.

“Bringing a touch of luxury to the everyday, this is one piece you will definitely be passing on to the next generation.”

Design by Morten & Jonas



## Models and prices



Kin table lamp H33

NOK 3 990,- / SEK 4 390,-  
DKK 2 990,- / EURO 399,-

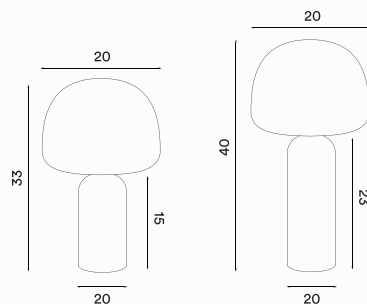
Colours:

Opal white glass and  
mixed brown marble



Kin table lamp H40

NOK 4 490,- / SEK 4 990,-  
DKK 3 490,- / EURO 449,-



Available:  
October 2023

Retailers and distribution:  
See details at [northern.no](http://northern.no)

Press release — Autumn 2023

Photo by Sara Spilling  
Styling by Per Olav Solvberg





Norwegian designers Morten Skjærpe Knarrum and Jonas Norheim are known eponymously as Morten & Jonas. They established their studio in Bergen, Norway after receiving their master's degrees from the Bergen Academy of Art and Design. The designers' cutting-edge furniture and lighting designs are sparked by curiosity and imagination, but characterised by irreverence and wit.

Morten & Jonas' point of departure was their ability to bring social agendas into design, even enlisting the help of incarcerated men and women to manufacture one of their early designs for Northern. Since then, Morten & Jonas have produced a range of celebrated designs, won several awards and had their work exhibited internationally. In Northern's collection, they give full expression to their combined talents, designing multifunctional furniture and discreet lighting while fulfilling their role as Design Directors for the brand.

# Morten & Jonas



## About

The Northern brand was born in the studios of Northern Lighting, where a team of creatives have been illuminating lives since 2005. The new lifestyle collection includes furniture, lighting and accessories. Inspired by the pale beauty and rough-cut contrasts of the North, the Oslo-based brand is Nordic in spirit, yet global in style.

## Contact

Northern  
Bygdøy allé 68  
0265 Oslo, Norway

Phone – (+47) 40 00 70 37  
Mail – [post@northern.no](mailto:post@northern.no)  
Web – [northern.no](http://northern.no)

Press requests:  
Head of PR & Marketing,  
Stine Birkeland,  
[stine@northern.no](mailto:stine@northern.no)



Northern