

Trace

Design by
Gridy

- ENG User manual
- D Gebrauchsanweisung
- F Mode D'emploi
- NO Bruksanvisning



Northern

Trace **Read this manual carefully before use
and keep it safe for future reference.**

**4 W LED, 4400 K, IP44, 100 lm / 240 lm /
360 lm step dimmable, Power bank,
3.7V Lithium Ion rechargeable battery**

Warnings

- Avoid eye injury. Do not stare directly into the light beam or point it directly into the eyes of any person or animal. Doing so for more than a few seconds could cause retinal damage.
- When powering on the flashlight, make sure to point it down or away from you and anyone else.
- The surface of this product can become hot after prolonged use. Be careful when touching it and make sure to keep it away from anything flammable or combustible.
- Never leave the flashlight unattended when it is powered on.
- If the flashlight is used less than once a month, remove the batteries to avoid leakage or corrosion.
- Before long-term storage, remove the batteries and store them in a cool and dry place.
- Any battery may leak harmful chemicals. To avoid risk of injury, do not let any material leaked from a battery come in contact with eyes or skin.
- Do not expose batteries to excessive heat or direct sunlight. The battery may rupture or explode if put in a fire or exposed to excessive heat.
- Only use the included battery.
- Install the batteries in the proper orientation as indicated by the instructions in this manual.
- This product is water resistant, not waterproof. Don't leave it outside in heavy rain.
- If soaked in water, immediately dry the flashlight and remove the battery. Dry thoroughly and install a new battery.
- Do not attempt to disassemble or repair this product. It is dangerous and will also void the warranty.
- Keep this product away from children. Do not leave children unattended near this product.
- Make sure that this product is intact and that there are no missing parts.
- To avoid damage to this product, be careful not to overtighten or improperly fix any of the threaded fittings.



First time use

- Unscrew the end cap in a counter-clockwise direction.
- Remove the battery protection plate placed between the battery negative pole (-) and end cap.
- Insert the battery again with the positive pole (+) pointing toward the light head. Refit the end cap.
- Remove the protection film from the glass front.
- Open the rubber protection on the end cap to access the USB connectors.
- Fully charge the battery before first time use.
- Trace has three light modes. High, medium and low. To change the brightness simply push the on/off switch the number of times needed.

Charging the battery

- To charge the battery use the included USB cable. Plug the USB-C cable (male) into the flashlight and connect the USB-A (male) to a computer or a universal USB adaptor.
- While charging a red indicator light near the charging port will blink until fully charged. The red indicator light will be permanently lit when fully charged.
- To fully charge an empty battery takes approximately 5 hours.
- Always close the rubber protection on the tail cap properly after charging.

Power bank

- The flashlight may be used as a power bank.
- Use your own charging cable or the included USB cable. Plug the USB-A cable (male) into the flashlight and the other end to your device.
- When the flashlight is used as a power bank the blue indicator light will be permanently lit.

Cleaning instructions

- Wipe spills and stains immediately.
- Clean using a soft, dry cotton cloth.
- If a deeper clean is required, a cotton cloth moistened with lukewarm water can be used. Always wipe with a dry cotton cloth to remove any residue.
- Avoid applying strong cleaning agents as it may damage the surface.

Instructions for use

ENG

Follow numbers in order for installation.

D

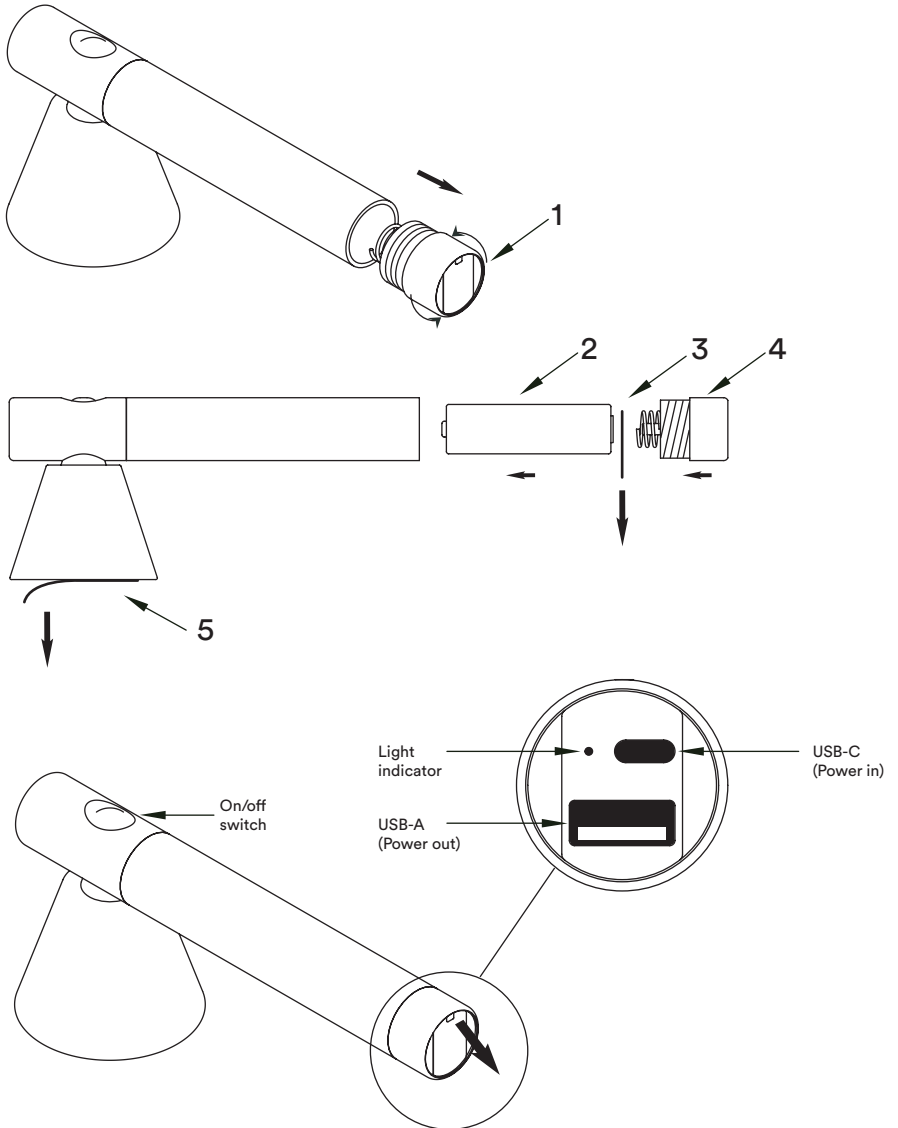
Folge der Montageanleitung in der angegebenen Reihenfolge.

F

Les chiffres montrent l'ordre recommandé pour monter le produit.

NO

Siffer viser rekkefølge for montering.



Northern

Contact info

Northern.no AS
Bygdøy allé 68
0265 Oslo, Norway

Phone: +47 40 00 70 37
Email: post@northern.no
Web: northern.no

Facebook: [Northern.no](https://www.facebook.com/Northern.no)
Instagram: [northern.no](https://www.instagram.com/northern.no)

More information about our products and updated user manuals are available on our website.