

Ton

Design by
Böttcher & Kayser

- ENG User manual
- D Gebrauchsanweisung
- F Mode D'emploi
- NO Bruksanvisning



Northern

Ton side table

Warnings

1. Be careful when unwrapping the product, not to damage the surface.
2. Make sure to tighten screws well during installation. If the table becomes wobbly after a while, just tighten again.
3. Place the table on a smooth surface.
4. Do not sit on the table.
5. Do not place really heavy or sharp items directly on the table.

Cleaning instructions

1. Wipe spills and stains immediately.
2. Clean using a soft, dry cotton cloth.
3. If necessary, a cotton cloth moistened with lukewarm water can be used. Be sure to immediately afterwards wipe the surface with a dry cotton cloth to remove any residue.
4. Avoid applying strong cleaning agents as it may damage the surfaces.

Installation instruction

ENG

Follow numbers in order for installation.

D

Folge der Montageanleitung in der angegebenen Reihenfolge.

You need:

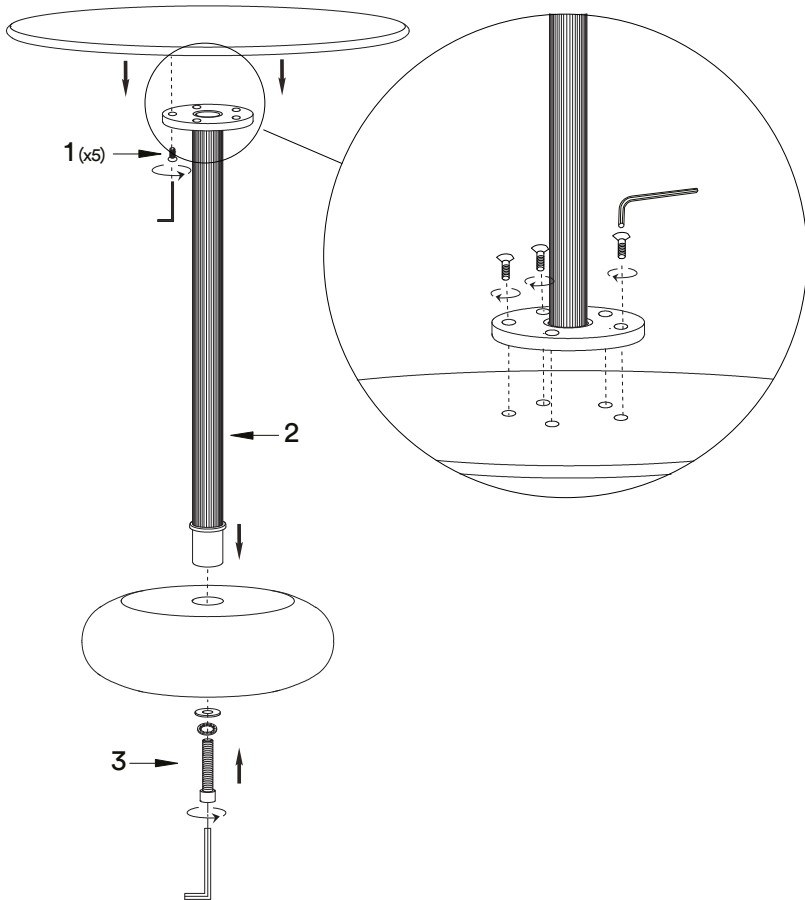


F

Les chiffres montrent l'ordre recommandé pour monter.

NO

Siffer viser rekkefølge for montering.



Northern

Contact info

Northern.no AS
Bygdøy allé 68
0265 Oslo, Norway

Phone: +47 40 00 70 37
Email: post@northern.no
Web: northern.no

Facebook: northern.no
Instagram: northern.no
Pinterest: [northernoslo](http://northern.no)

More information about our products and updated user manuals are available on our website.

Northern