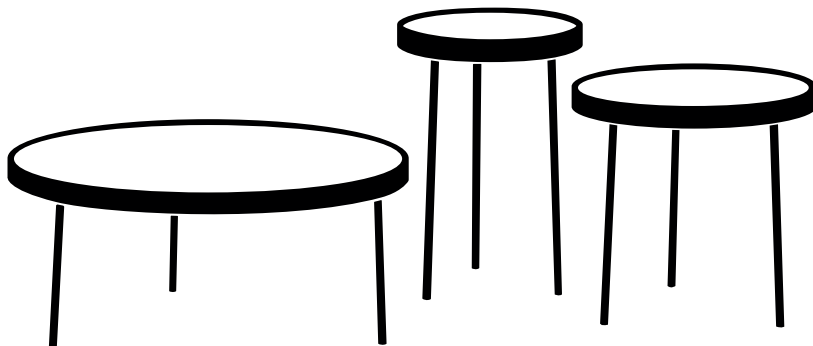


# Stilk

Design by  
Morten & Jonas

- ENG User manual
- D Gebrauchsanweisung
- F Mode D'emploi
- NO Bruksanvisning



**Northern**

## Stilk coffee table series

### Warnings

1. Indoor use only.
2. Be careful when unwrapping the product, not to damage the surface.
3. Make sure to tighten screws well during installation. If the table becomes wobbly after a while, just tighten again.
4. Place the table on a smooth surface.
5. Do not sit on the table.
6. Do not place really heavy or sharp items directly on the table.

### Cleaning instructions

1. Wipe spills and stains immediately.
2. Clean using a soft, dry cotton cloth.
3. If a deeper clean is required, a cotton cloth moistened with lukewarm water can be used. Always wipe with a dry cotton cloth to remove any residue.
4. For really heavily-soiled table tops, and stains from coffee or tea, a soft brush can be used with a mild cleaning solution.
5. Avoid applying strong cleaning agents as it may damage the surface.

## Installation instruction

ENG

Follow numbers in order for installation.

D

Folge der Montageanleitung in der angegebenen Reihenfolge.

You need:

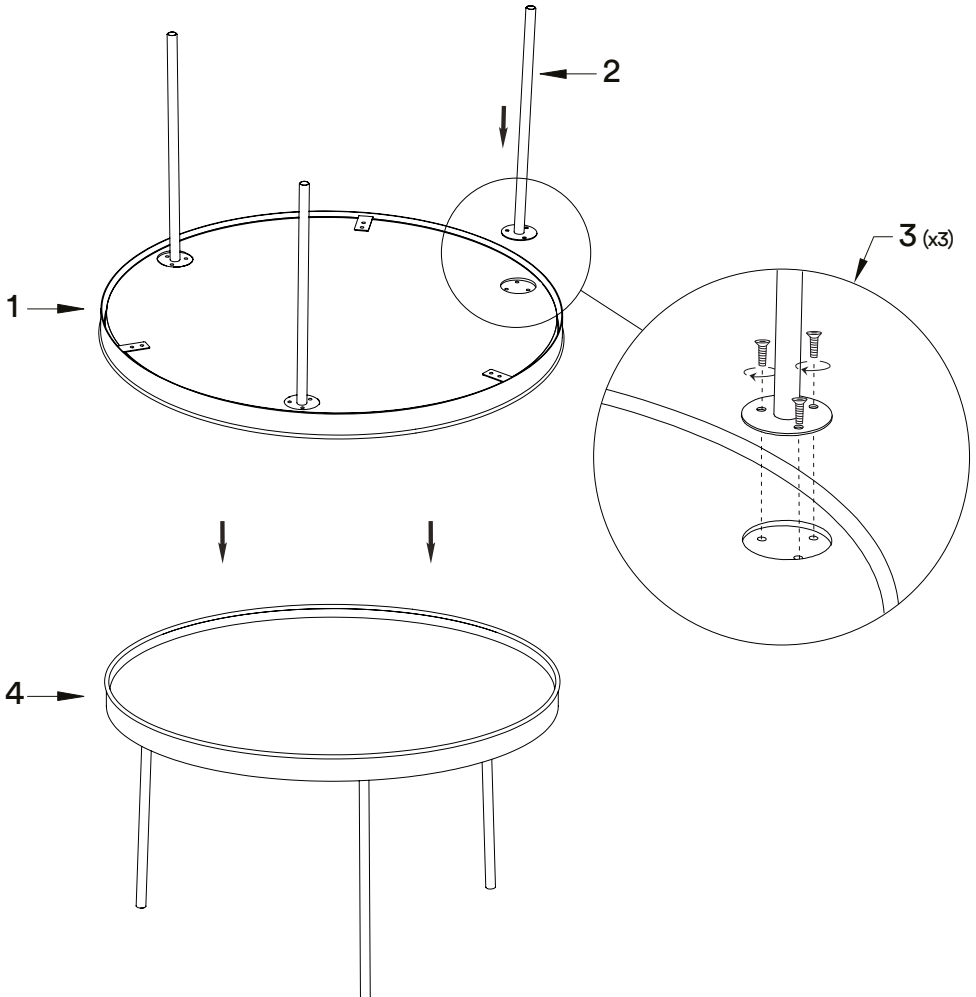


F

Les chiffres montrent l'ordre recommandé pour monter.

NO

Siffer viser rekkefølge for montering.



**Northern**

## **Contact info**

Northern.no AS  
Bygdøy allé 68  
0265 Oslo, Norway

Phone: +47 40 00 70 37  
Email: [post@northern.no](mailto:post@northern.no)  
Web: [northern.no](http://northern.no)

Facebook: [northern.no](https://www.facebook.com/northern.no)  
Instagram: [northern.no](https://www.instagram.com/northern.no)  
Pinterest: [northernoslo](https://www.pinterest.com/northernoslo)

More information about our products and updated user manuals are available on our website.