

Shelter

Design by
Yonoh

ENG

User manual

D

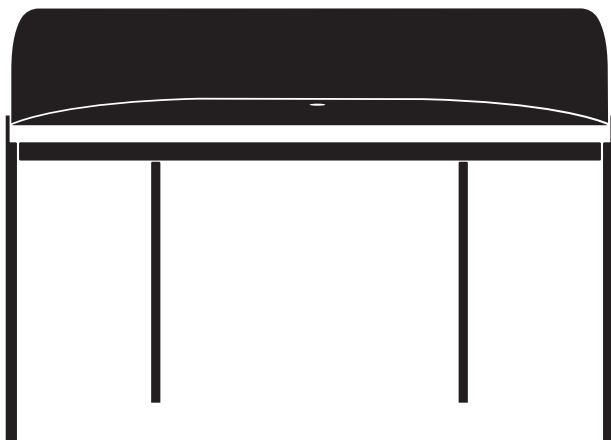
Gebrauchsanweisung

F

Mode D'emploi

NO

Bruksanvisning



Northern

Shelter

Warnings

1. Indoor use only.
2. Be careful when unwrapping the product, not to damage the surface.
3. Make sure to tighten legs well during installation.
4. Do not place really heavy or sharp items directly on the table top.
5. Make sure the desk is placed on a smooth surface.
6. Do not sit on the desk.

Cleaning instructions

1. Wipe spills and stains immediately.
2. Clean using a soft, dry cotton cloth.
3. If necessary, a cotton cloth moistened with lukewarm water can be used. Wipe the surface in the direction of the wood. Be sure to immediately afterwards wipe the surface with a dry cotton cloth to remove any moisture that may damage the surface.
4. Avoid applying strong cleaning agents as it may damage the surface.

Installation instruction

ENG

Follow numbers in order for installation.

D

Folge der Montageanleitung in der angegebenen Reihenfolge.

You need:

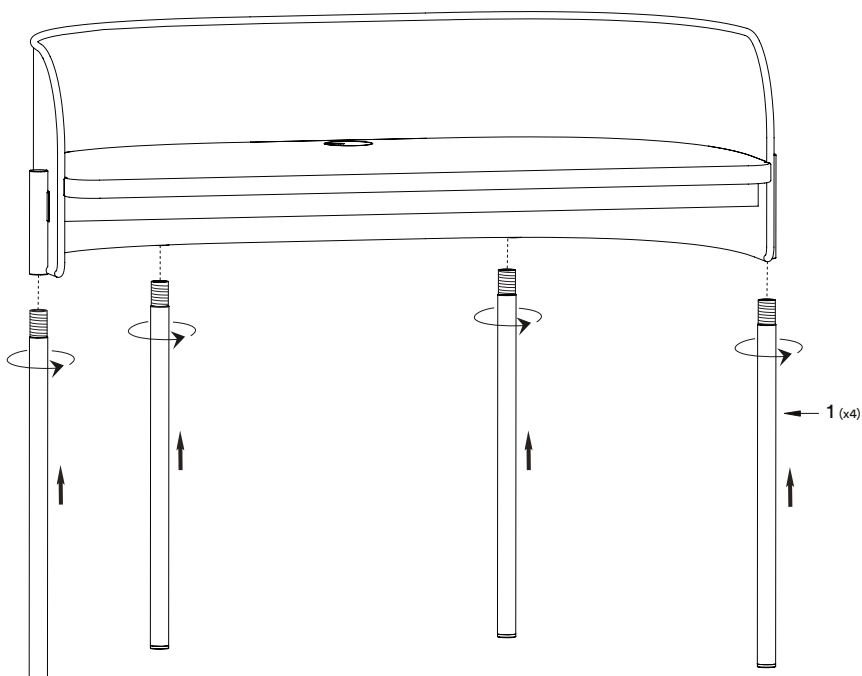


F

Les chiffres montent l'ordre recommandé pour monter.

NO

Siffer viser rekkefølge for montering.



Northern

Contact info

Northern
Bygdøy allé 68
0265 Oslo, Norway

Phone: +47 40 00 70 37
Email: post@northern.no
Web: northern.no

Facebook: [Northern.no](https://www.facebook.com/northern.no)
Instagram: [@northern.no](https://www.instagram.com/northern.no)

More information about our products and updated user manuals are available on our website.