

Pal

Design by
Sami Kallio



User manual



Gebrauchsanweisung



Mode D'emploi



Bruksanvisning



Northern

Pal bench

Warnings

1. Be careful when unwrapping the product, not to damage the surface.
2. Make sure to tighten the legs well during installation, and retighten later if needed.
3. The stool should be stored and used indoors only.
4. Make sure the stool is placed on a smooth surface.
5. Do not tilt while sitting on the stool.
6. Do not place sharp items directly on the stool seat.
7. Do not place the stool near heating sources such as wood burning stoves or radiators. The air temperature should be 15°C- 25°C with a humidity of 40-60%.
8. Avoid placing your wooden furniture in direct sunlight as it might affect the colour of the wood.
9. Oiled oak will develop a natural and beautiful patina over time. To extend the life of the wood, it is necessary that you regularly take care of your wooden furniture.

Cleaning instructions

1. Wipe spills and stains immediately.
2. Clean using a soft, dry cotton cloth.
3. If necessary, a cotton cloth moistened with lukewarm water can be used. Wipe the surface in the direction of the wood. Be sure to immediately afterwards wipe the surface with a dry cotton cloth to remove any moisture that may damage the wood.
4. If a deeper clean is required, a soap specially developed for oiled wood surfaces should be used.
5. Avoid applying strong cleaning agents as it may damage the surface.

Temperature and humidity

Solid wood is sensitive to changes in air humidity. The seasons of the year and indoor heating systems may affect the wood. Solid wood adapt according to humidity and temperature, and dimensions may change slightly because of expansion and contraction of the wood. If not kept in the recommended temperature and humidity solid wood can warp or crack.

Natural raw material

Wood is a natural raw material and wood textures and patterns may vary in color, texture and structure. Over the years the tone of the wood surface may change, especially if exposed to direct sunlight. These differences and the color changes are not considered to be defects.

Installation instruction

(ENG) Follow numbers in order for installation.

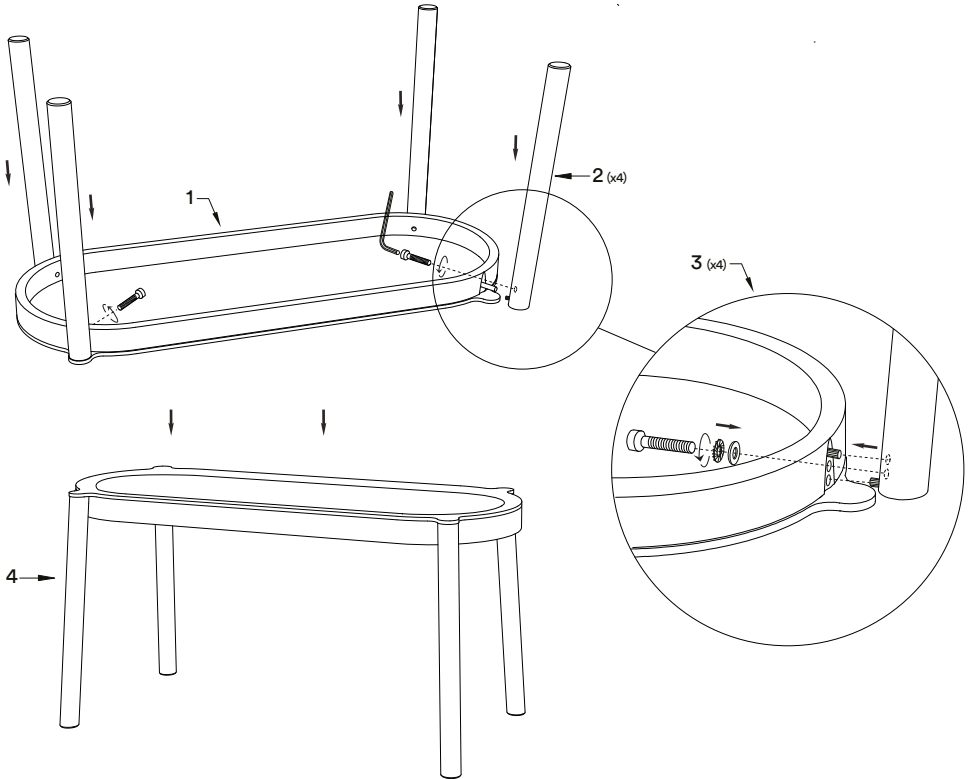
(D) Folge der Montageanleitung in der angegebenen Reihenfolge.

You need:



(F) Les chiffres montrent l'ordre recommandé pour monter.

(NO) Siffer viser rekkefølge for montering.



Northern

Contact info

Northern.no AS
Bygdøy allé 68
0265 Oslo, Norway

Phone: +47 40 00 70 37
Email: post@northern.no
Web: northern.no

Facebook: [Northern.no](https://www.facebook.com/Northern.no)
Instagram: [northern.no](https://www.instagram.com/northern.no)
Pinterest: [NorthernOslo](https://www.pinterest.com/NorthernOslo)

More information about our products and updated user manuals are available on our website.