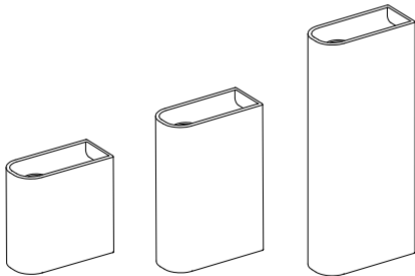


Monolith

Care and use
instructions

Design by
Morten&Jonas



Northern

Warnings

1. Be careful when unwrapping the product, not to damage the surface.
2. Light the candle with a kitchen lighter or a long match.
3. Never leave a burning candle unattended.
4. Burn candle out of reach of children and pets.
5. Always leave at least 10 cm between burning candles.
6. Do not burn candles on or near anything that can catch fire.
7. Always place the object in an upright position, on a smooth surface.
8. Do not move a burning candle.
9. Extinguish the flame at least 3 cm. from the candle holder/bottom of the candle. Use a candle snuffer or carefully blow out the flame.
10. Burning candles is not without danger. This is done at your own risk. Northern will not accept any liability for incorrect use.
11. Discolouration and thermal shock can occur with extreme heat exposure.
12. The natural marble version will vary in colour and pattern.

Cleaning instructions

1. Clean using a soft, dry cotton cloth.
2. If a deeper clean is required, a cotton cloth moistened with lukewarm water or glass cleaner can be used. Always wipe with a dry cotton cloth to remove any residue.
3. To remove large amounts of wax, place laying down on baking paper in oven (75°C / 20 min). Be careful when removing from oven due to melted wax and the hot metal of the candle holder.
4. Avoid applying strong cleaning agents as it may damage the surface.



Monolith

Design by
Morten&Jonas

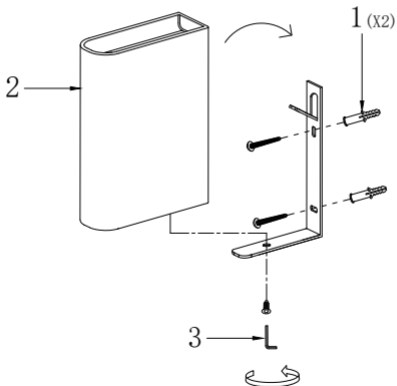
Care and use
instructions



Northern

Installation instruction

- (EN) Follow numbers in order for installation.
- (D) Folge der Montageanleitung in der angegebenen Reihenfolge.
- (F) Les chiffres montrent l'ordre recommandé pour monter la lampe.
- (NO) Siffer viser rekkefølge for monteringen.



Warnings

1. Be careful when unwrapping the product, not to damage the surface.
2. Light the candle with a kitchen lighter or a long match.
3. Never leave a burning candle unattended.
4. Burn candle out of reach of children and pets.
5. Always leave at least 10 cm between burning candles.
6. Do not burn candles on or near anything that can catch fire.
7. Always place the object in an upright position, on a smooth surface.
8. Do not move a burning candle.
9. Extinguish the flame at least 3 cm. from the candle holder/bottom of the candle. Use a candle snuffer or carefully blow out the flame.
10. Burning candles is not without danger. This is done at your own risk. Northern will not accept any liability for incorrect use.
11. Discolouration and thermal shock can occur with extreme heat exposure.
12. The natural marble versions will vary in colour and pattern.

Cleaning instructions

1. Clean using a soft, dry cotton cloth.
2. If a deeper clean is required, a cotton cloth moistened with lukewarm water or glass cleaner can be used. Always wipe with a dry cotton cloth to remove any residue.
3. To remove large amounts of wax, place laying down on baking paper in oven (75°C / 20 min). Be careful when removing from oven due to melted wax and the hot metal of the candle holder.
4. Avoid applying strong cleaning agents as it may damage the surface.

