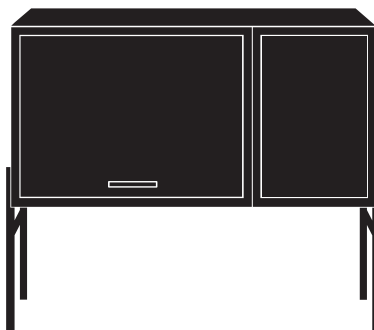


Hifive

Design by
Rudi Wulff

- ENG User manual
- D Gebrauchsanweisung
- F Mode D'emploi
- NO Bruksanvisning



Northern

Hifive cabinet system floor and wall

Warnings

1. Indoor use only.
2. Be careful when unwrapping the product, not to damage the surface.
3. Use a clean and smooth underlay during the installation to avoid damages and scratches on the furniture and floor.
4. Make sure to tighten screws well during installation.
5. Drilling of holes when fixing the boxes to each other leaves permanent marks. Make sure to choose how to place the boxes in advance.
6. Use correct screws and screwcaps for installation on wall. Since different materials demand different standards, these parts are not included.
7. The tall versions (cabinet boxes stacked on top of each other) must be fixed to the wall with correct screws and screwcaps. This is a safety measure to avoid the furniture from tipping over.
8. Do not sit on this furniture.
9. Do not place really heavy or sharp items directly on the surface.
10. Avoid placing your wooden furniture in direct sunlight, strong heat or humid environment as it may affect the colour of the wood.

Care and cleaning instructions

1. Wipe spills and stains immediately.
2. Clean using a soft, dry cotton cloth.
3. If a deeper clean is required, a cotton cloth moistened with lukewarm water can be used. Wipe the surface in the direction of the wood. Afterwards wipe the surface with a dry cotton cloth to remove any moisture that may damage the wood.
4. Avoid applying strong cleaning agents as it may damage the surface.
5. If the tambour sliding door is slow or difficult to open or close, apply a small amount of hard candle wax inside the door grooves.

Installation instruction

ENG

Follow numbers in order for installation.

D

Folge der Montageanleitung in der angegebenen Reihenfolge.

You need:



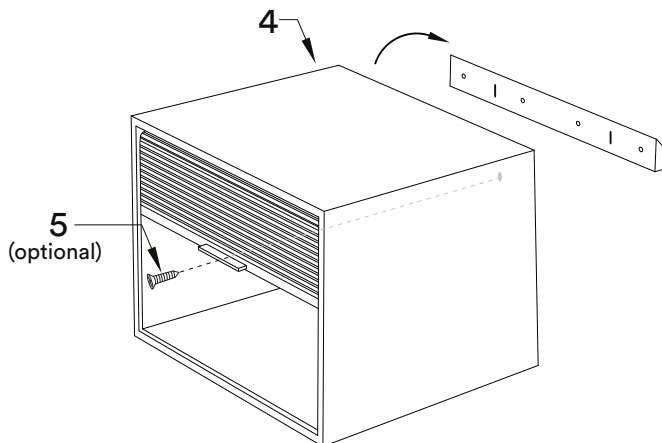
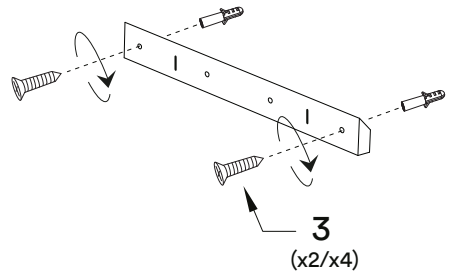
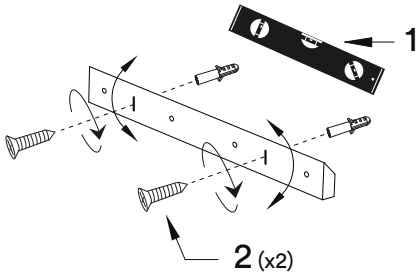
F

Les chiffres montrent l'ordre recommandé pour monter.

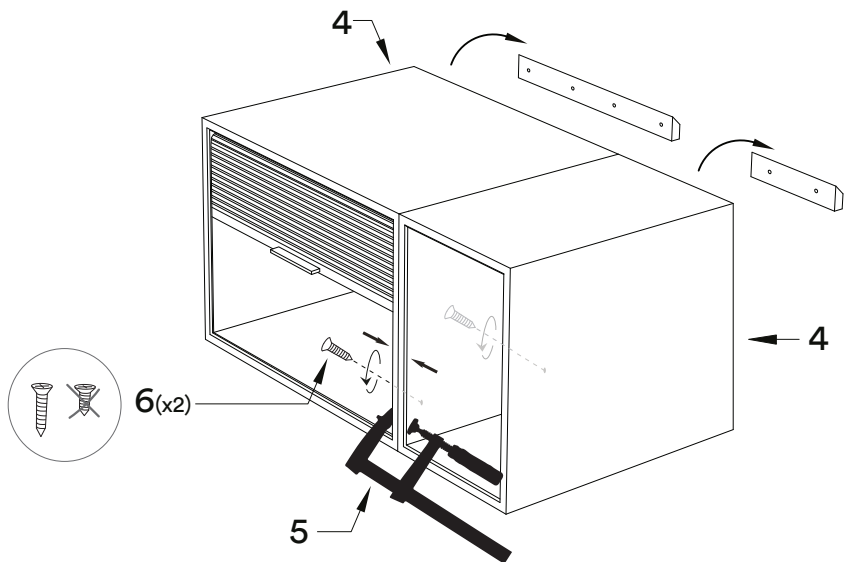
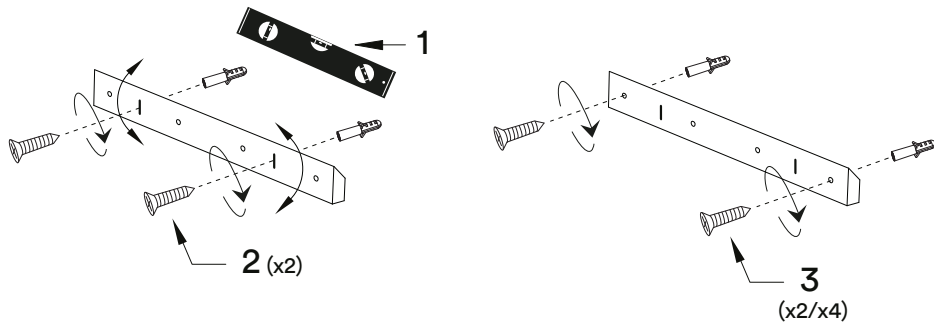
NO

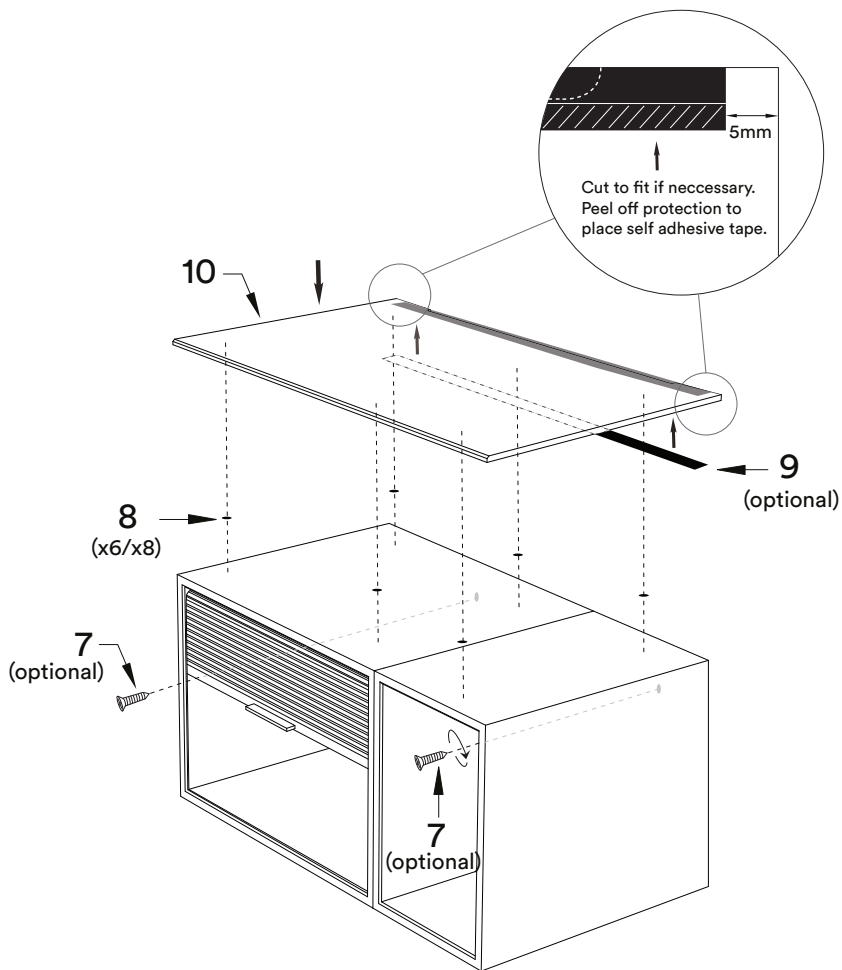
Siffer viser rekkefølge for montering.

Wall versions (25 cm/50 cm)

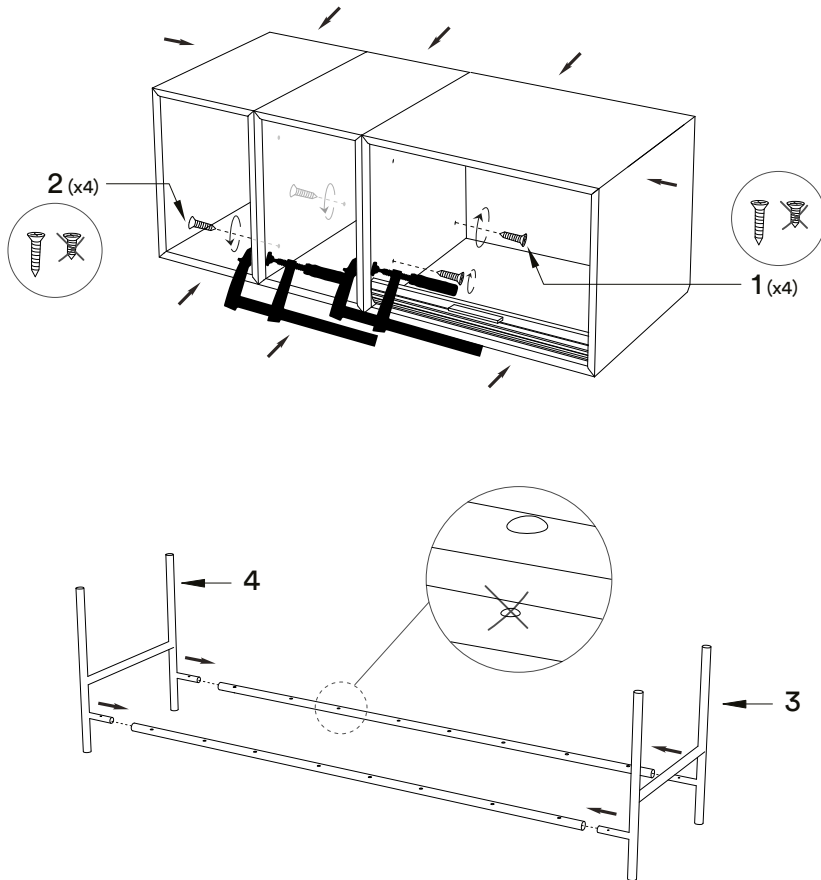


Wall versions (75 cm/100 cm/150 cm/200 cm)

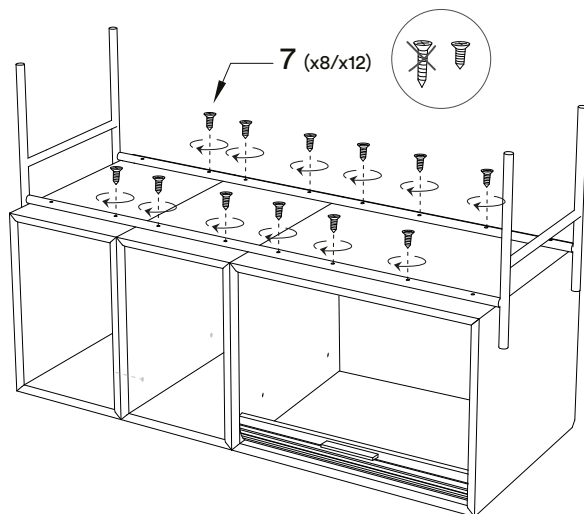
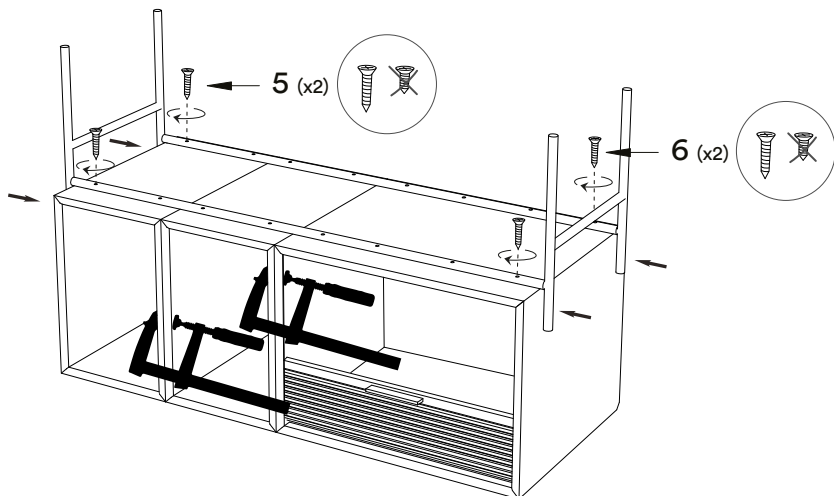




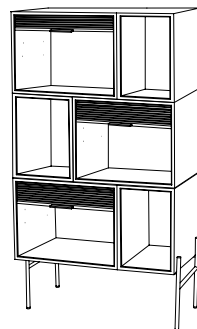
Floor versions (75 cm/100 cm)



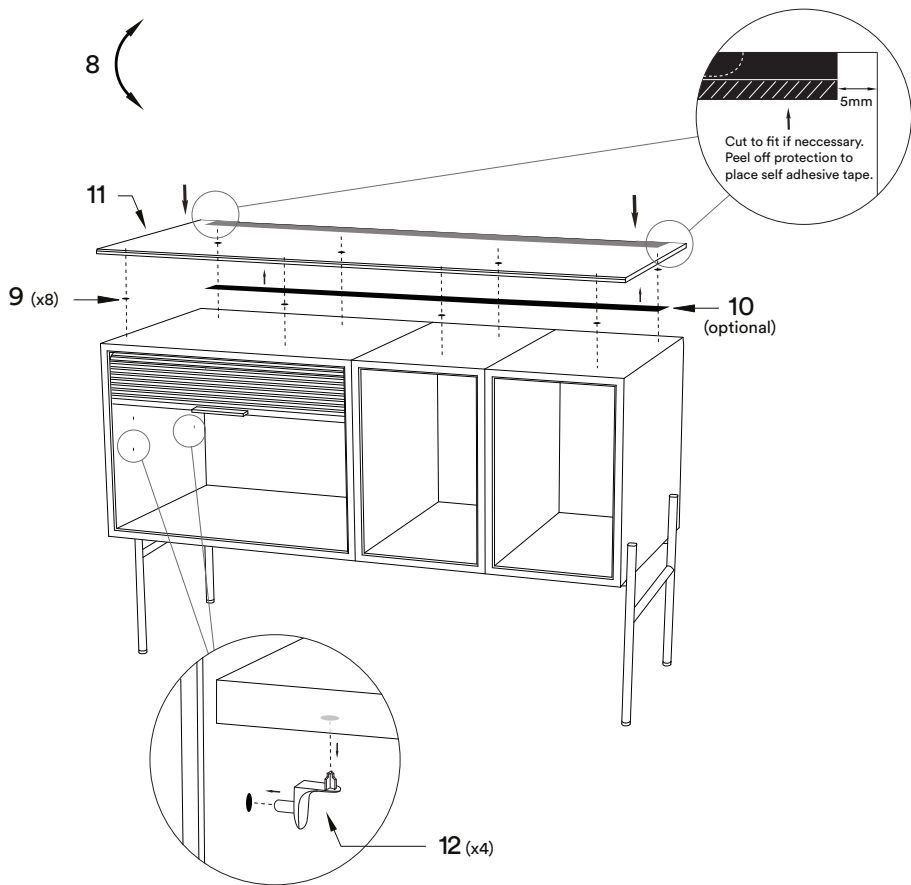
Floor versions (75 cm/100 cm)



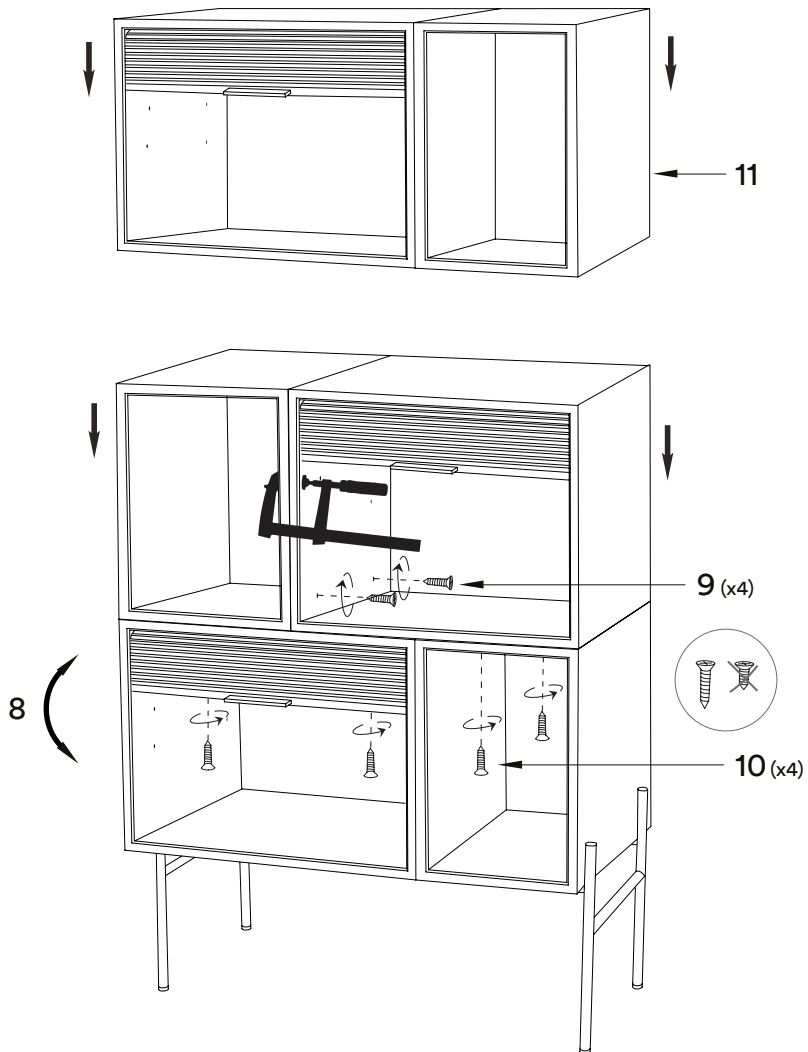
Tall cabinet:
Jump to page 10



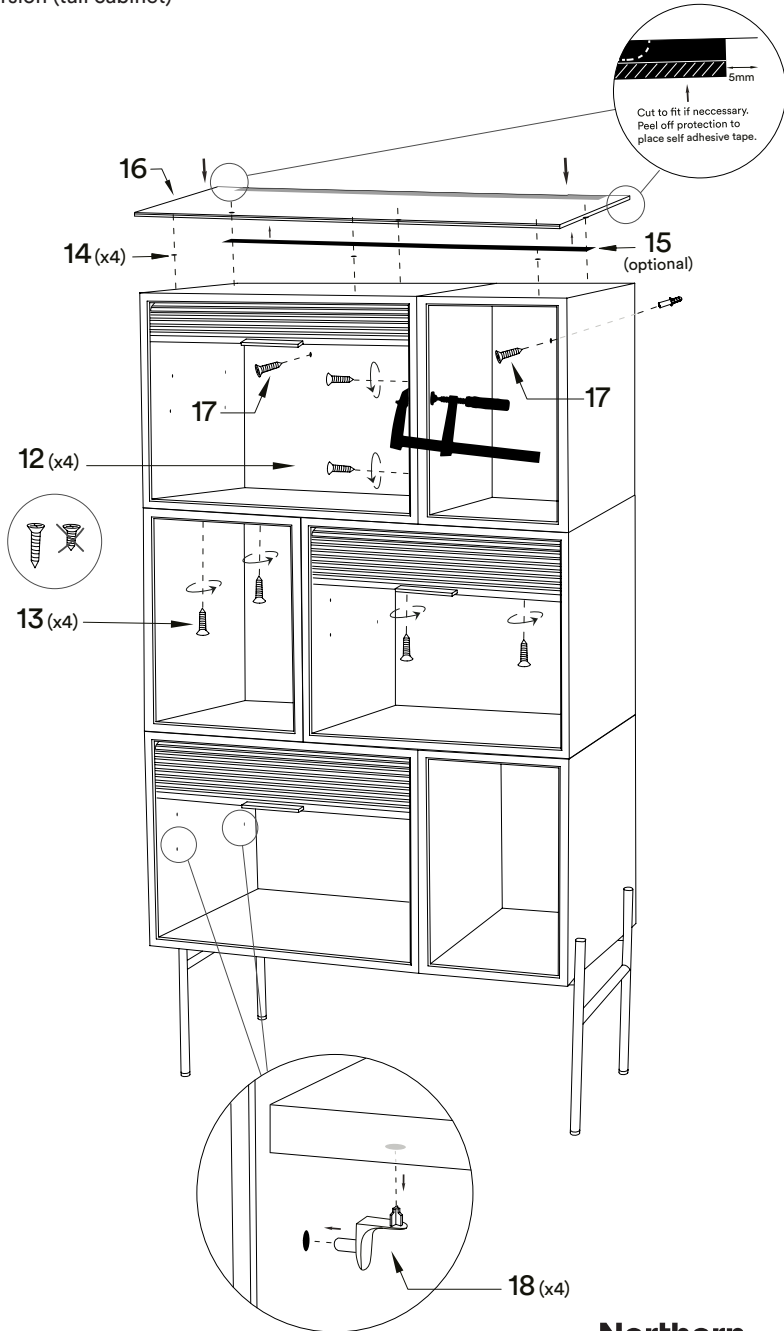
Floor versions (75 cm/100 cm)



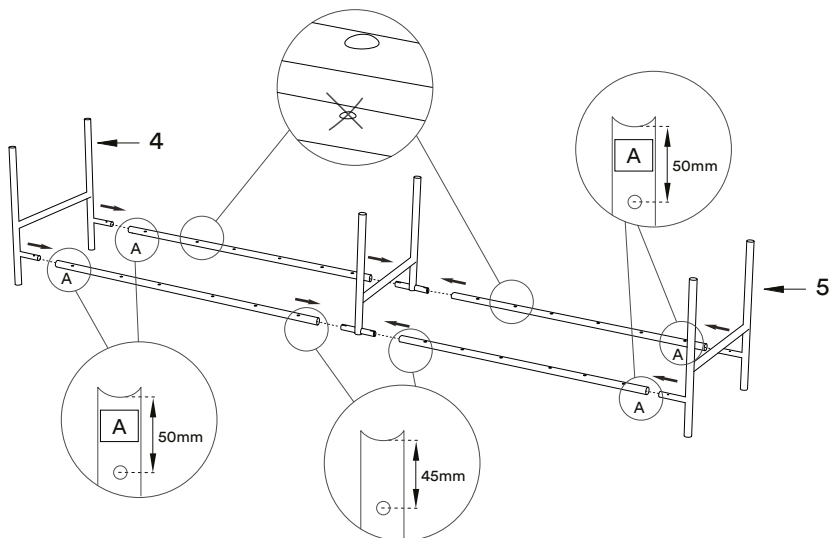
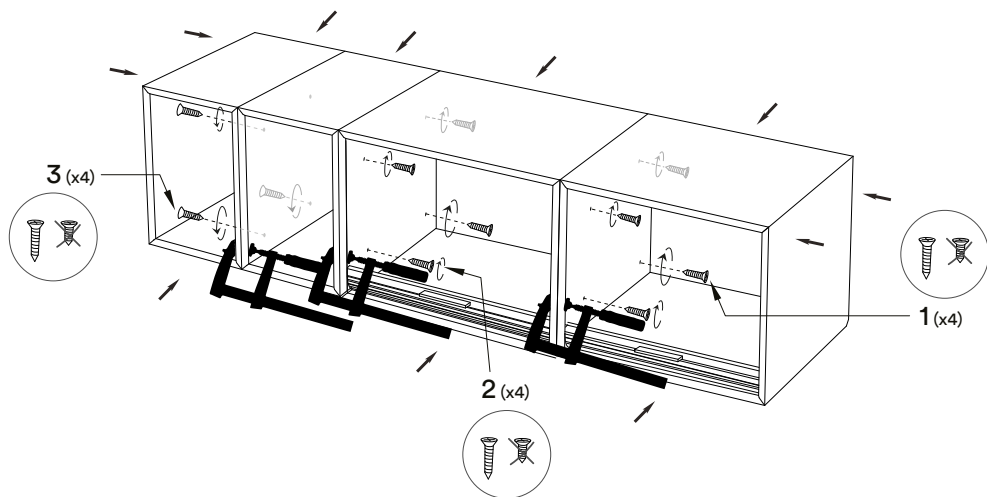
Floor version (tall cabinet)



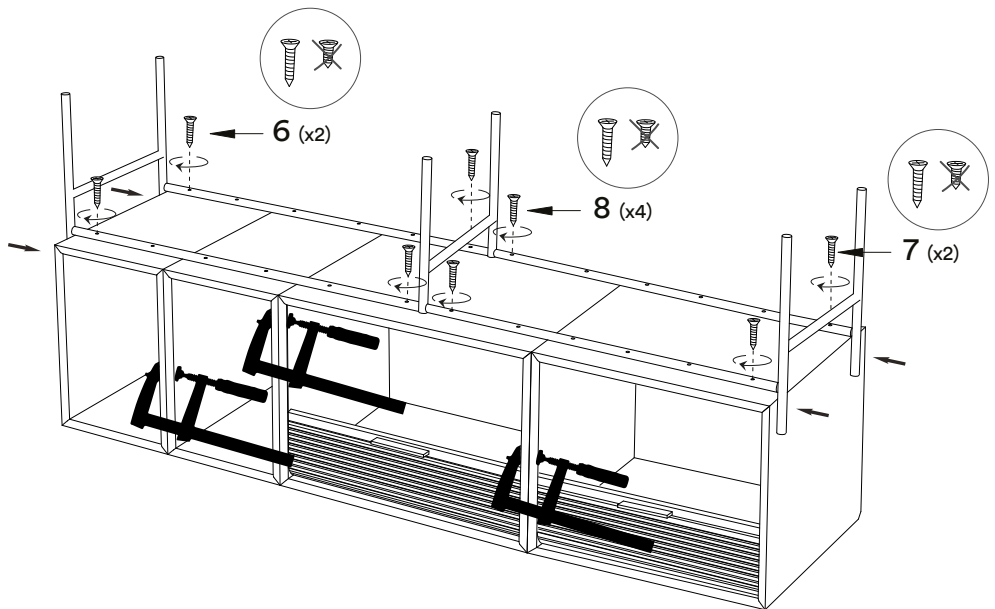
Floor version (tall cabinet)



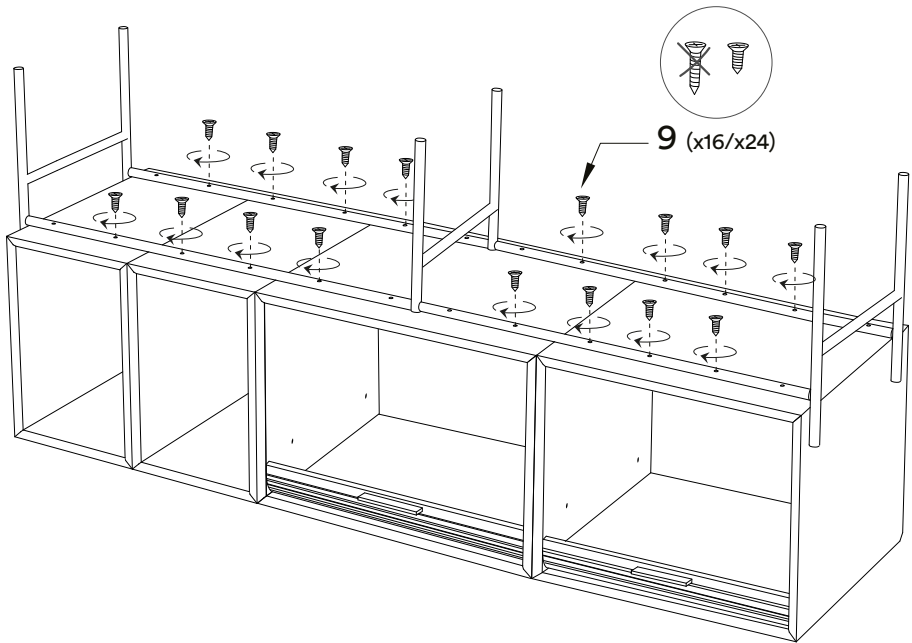
Floor versions (150 cm/200 cm)



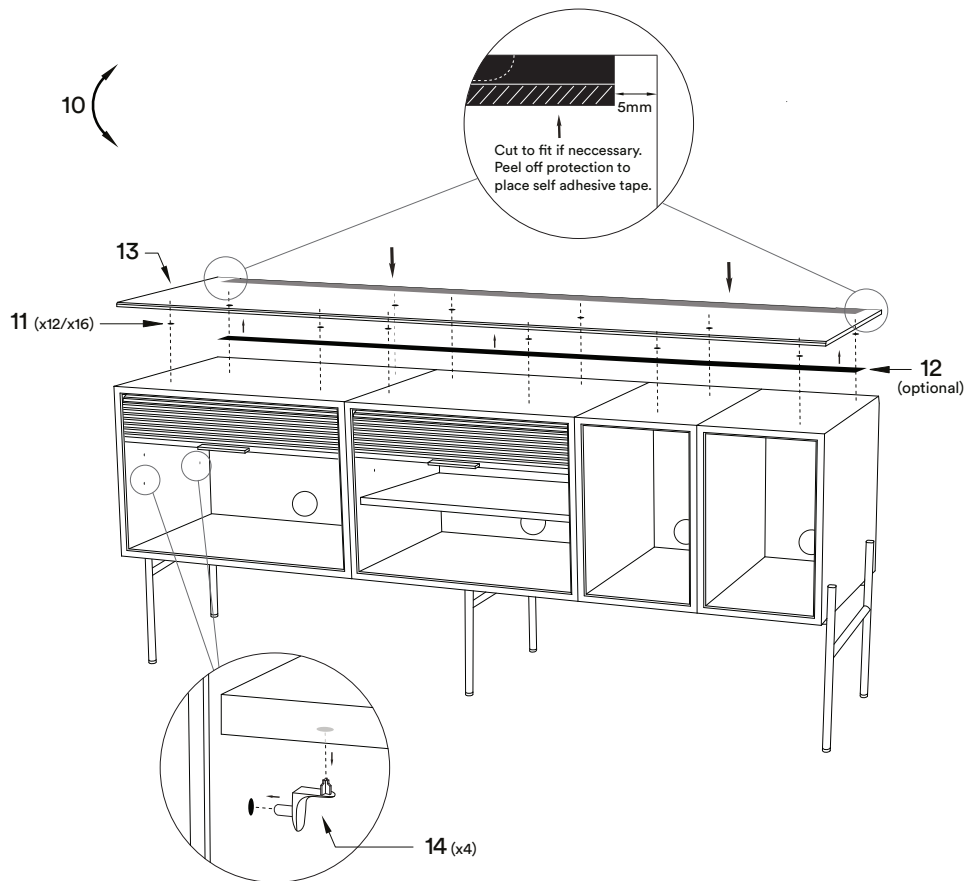
Floor versions (150 cm/200 cm)



Floor versions (150 cm/200 cm)



Floor versions (150 cm/200 cm)



Contact info

Northern.no AS
Bygdøy allé 68
0265 Oslo
Norway

Phone: +47 40 00 70 37
Email: post@northern.no
Web: northern.no

Facebook: [Northern.no](https://www.facebook.com/Northern.no)
Instagram: [northern.no](https://www.instagram.com/northern.no)

More information about our products and updated user manuals are available on our website.

Northern