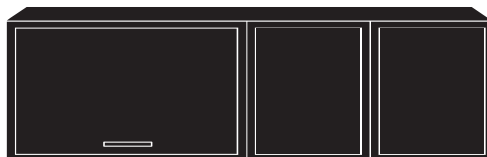
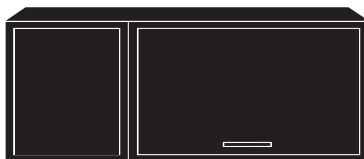


# Hifive

Design by  
Rudi Wulff

- ENG User manual
- D Gebrauchsanweisung
- F Mode D'emploi
- NO Bruksanvisning



**Northern**

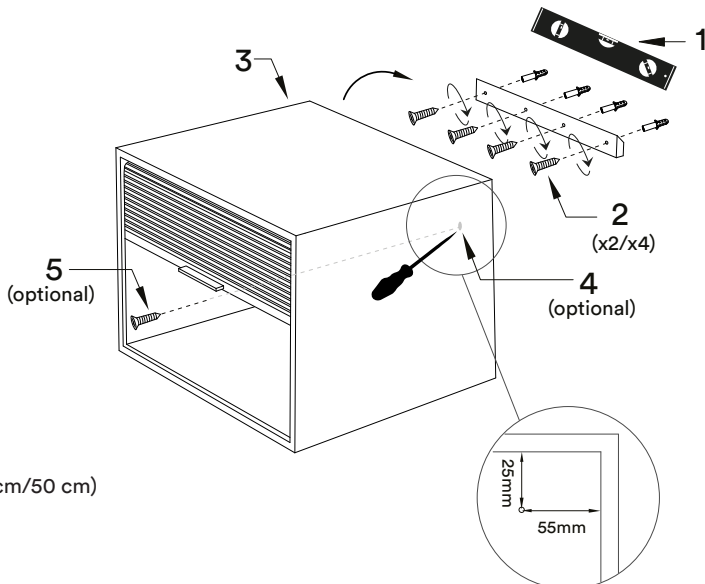
## Hifive slim wall

### Warnings

1. Indoor use only.
2. Be careful when unwrapping the product, not to damage the surface.
3. Use a soft underlay during the installation to avoid damages and scratches on the furniture and floor.
4. Make sure to tighten screws well during installation.
5. Drilling of holes when fixing the boxes to each other leaves permanent marks. Make sure to choose how to place the boxes in advance.
6. Use correct screws and screwcups for installation on wall. Since different materials demand different standards, these parts are not included.
7. Do not sit on this furniture.
8. Do not place really heavy or sharp items directly on the surface.
9. Avoid placing your wooden furniture in direct sunlight, strong heat or humid environment as it may affect the colour of the wood.

### Care and cleaning instructions

1. Wipe spills and stains immediately.
2. Clean using a soft, dry cotton cloth.
3. If a deeper clean is required, a cotton cloth moistened with lukewarm water can be used. Wipe the surface in the direction of the wood. Afterwards wipe the surface with a dry cotton cloth to remove any moisture that may damage the wood.
4. Avoid applying strong cleaning agents as it may damage the surface.
5. If the tambour sliding door is slow or difficult to open or close, apply a small amount of hard candle wax inside the door grooves.



Wall versions (25 cm/50 cm)

## Installation instruction

ENG

Follow numbers in order for installation.

D

Folge der Montageanleitung in der angegebenen Reihenfolge.

You need:



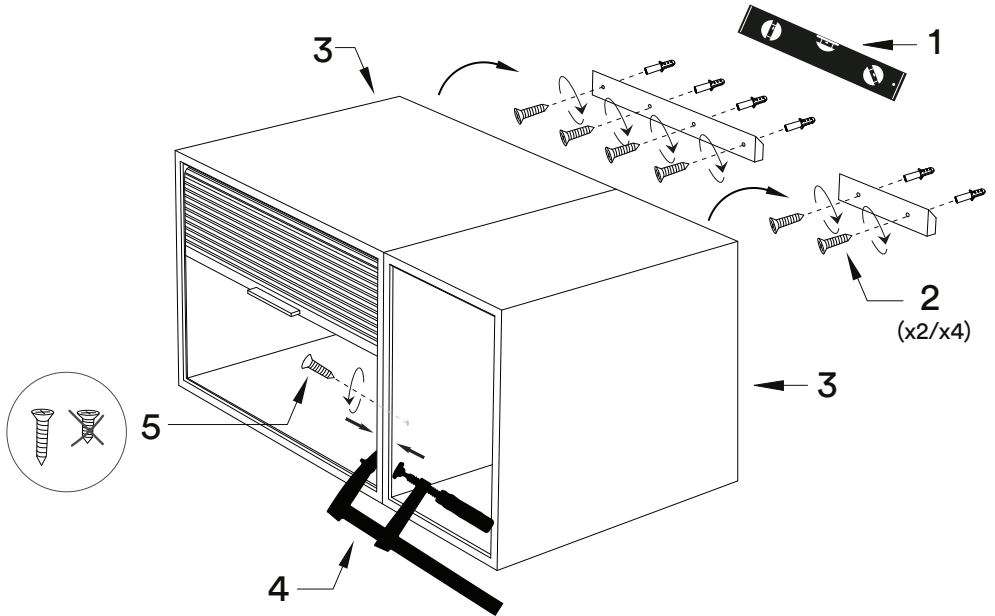
F

Les chiffres montrent l'ordre recommandé pour monter.

NO

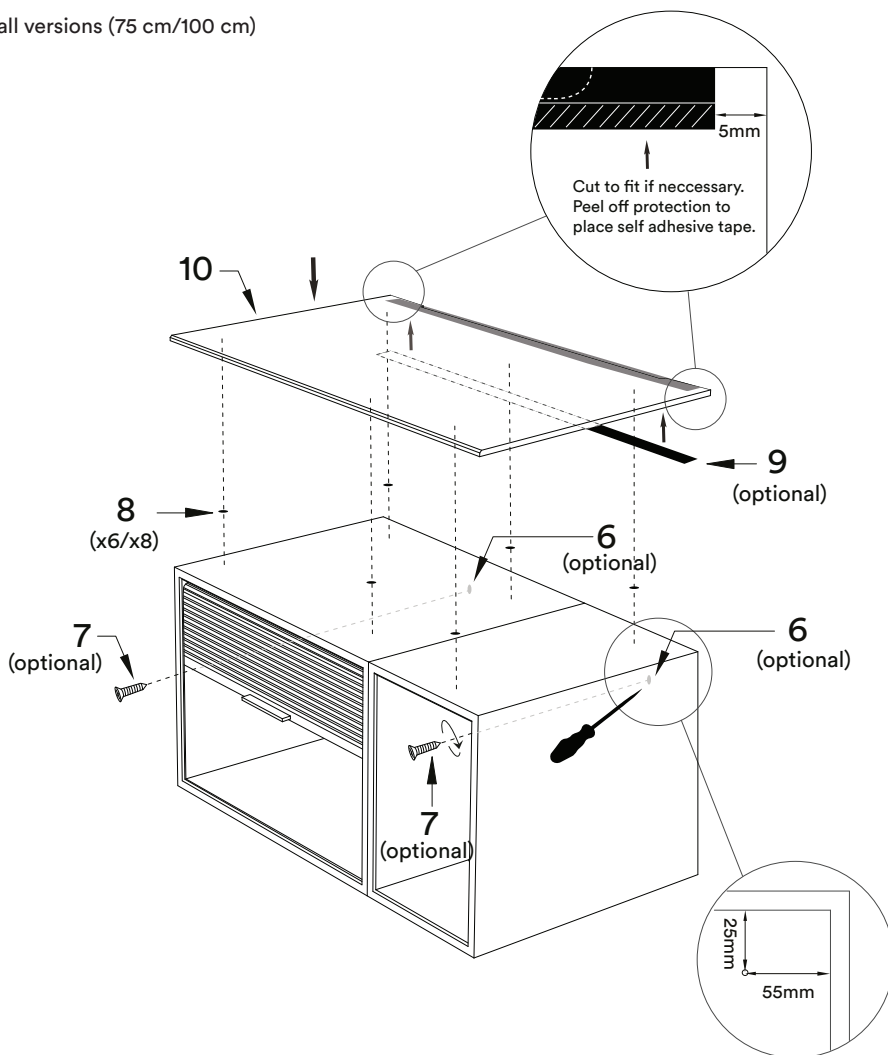
Siffer viser rekkefølge for montering.

Wall versions (75 cm/100 cm)



**Northern**

Wall versions (75 cm/100 cm)



**Contact info**

Northern.no AS  
Bygdøy allé 68  
0265 Oslo  
Norway

Phone: +47 40 00 70 37  
Email: [post@northern.no](mailto:post@northern.no)  
Web: [northern.no](http://northern.no)

Facebook: [Northern.no](https://www.facebook.com/Northern.no)  
Instagram: [northern.no](https://www.instagram.com/northern.no)

More information about our products and updated user manuals are available on our website.

**Northern**