

# Illusion



Illusion white  
– Item no. 440



Illusion black  
– Item no. 441



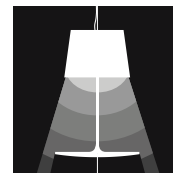
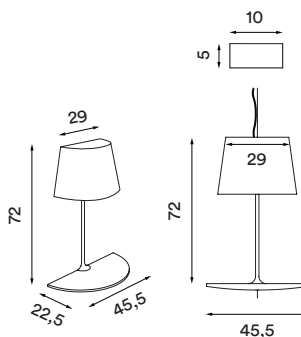
Illusion half white  
– Item no. 442



Illusion half black  
– Item no. 443

**Product type:** Pendant lamp and wall lamp series  
**Design:** Hareide Design, 2010  
**Shade material:** Aluminium  
**Body and base material:** Steel  
**Shade and body colours:** White shiny or black matt  
**Base colour (pendant lamp only):** Black matt  
**Wire (pendant lamp only):** White (white version) or black (black version) silk, 450 cm  
**Bulbs pendant lamp:** GU10, Max. 50W x 4  
**Bulbs wall lamp:** GU10, Max. 50W x 2  
**Voltage:** 220V - 240V - 50Hz  
**Net weight pendant lamp:** 5.1 kg (plus floor base)  
**Net weight wall lamp:** 2.6 kg  
**Minimum order size:** 1

## Dimensions and light direction:



## Recommended bulbs:

LED - 6 W    H - 20 W

