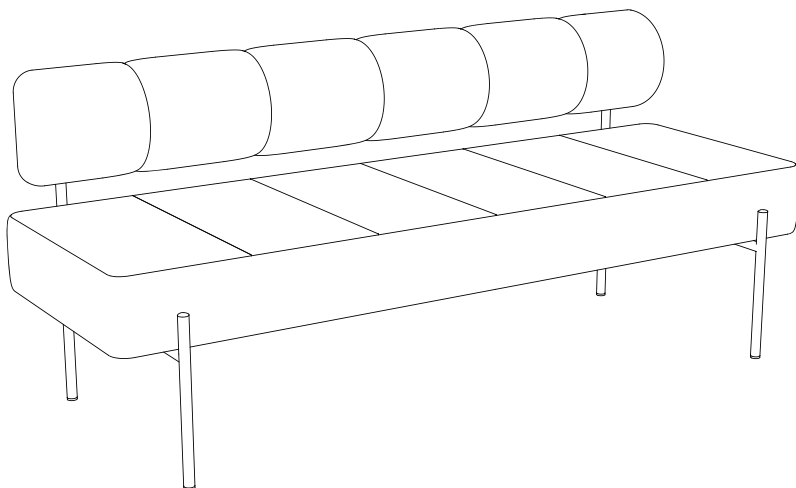


# Daybe dining sofa

Design by  
Morten & Jonas

- ENG User manual
- D Gebrauchsanweisung
- F Mode D'emploi
- NO Bruksanvisning



**Northern**

## Warnings

1. Indoor use only.
2. Be careful when unwrapping the product, not to damage the surface.
3. Place the sofa on a smooth surface.
4. Do not jump in the sofa.
5. Proper care and regular cleaning can prolong the life of the furniture.
6. We do not recommend impregnation of wool fabrics, since wool is dirt repellent by nature.

## Cleaning instructions

1. Wipe spills and stains immediately.
2. Vacuum your furniture regularly with a soft brush, preferably weekly, on a low setting.
3. For a light cleaning, use a soft, damp cloth.
4. If necessary, use a soft, damp cloth together with a mild cleaning solution especially suited for textile. Avoid rubbing hard against the material as it may damage structure or colour.
5. For really difficult stains, we recommend professional cleaning.

## Installation instruction

ENG

Follow numbers in order for installation.

D

Folge der Montageanleitung in der angegebenen Reihenfolge.

You need:

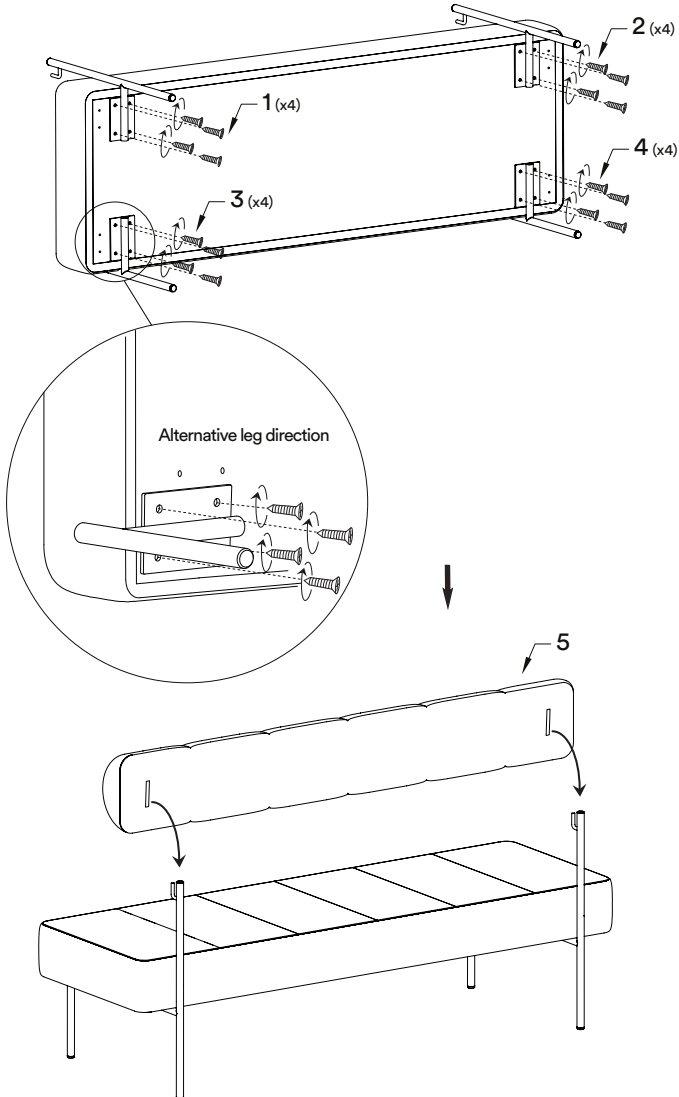


F

Les chiffres montrent l'ordre recommandé pour monter.

NO

Siffer viser rekkefølge for montering.



**Northern**

## **Contact info**

Northern  
Bygdøy allé 68  
0265 Oslo, Norway

Phone: +47 40 00 70 37  
Email: [post@northern.no](mailto:post@northern.no)  
Web: [northern.no](http://northern.no)

Facebook: [Northern.no](https://www.facebook.com/Northern.no)  
Instagram: [northern.no](https://www.instagram.com/northern.no)

More information about our products and updated user manuals are available on our website.